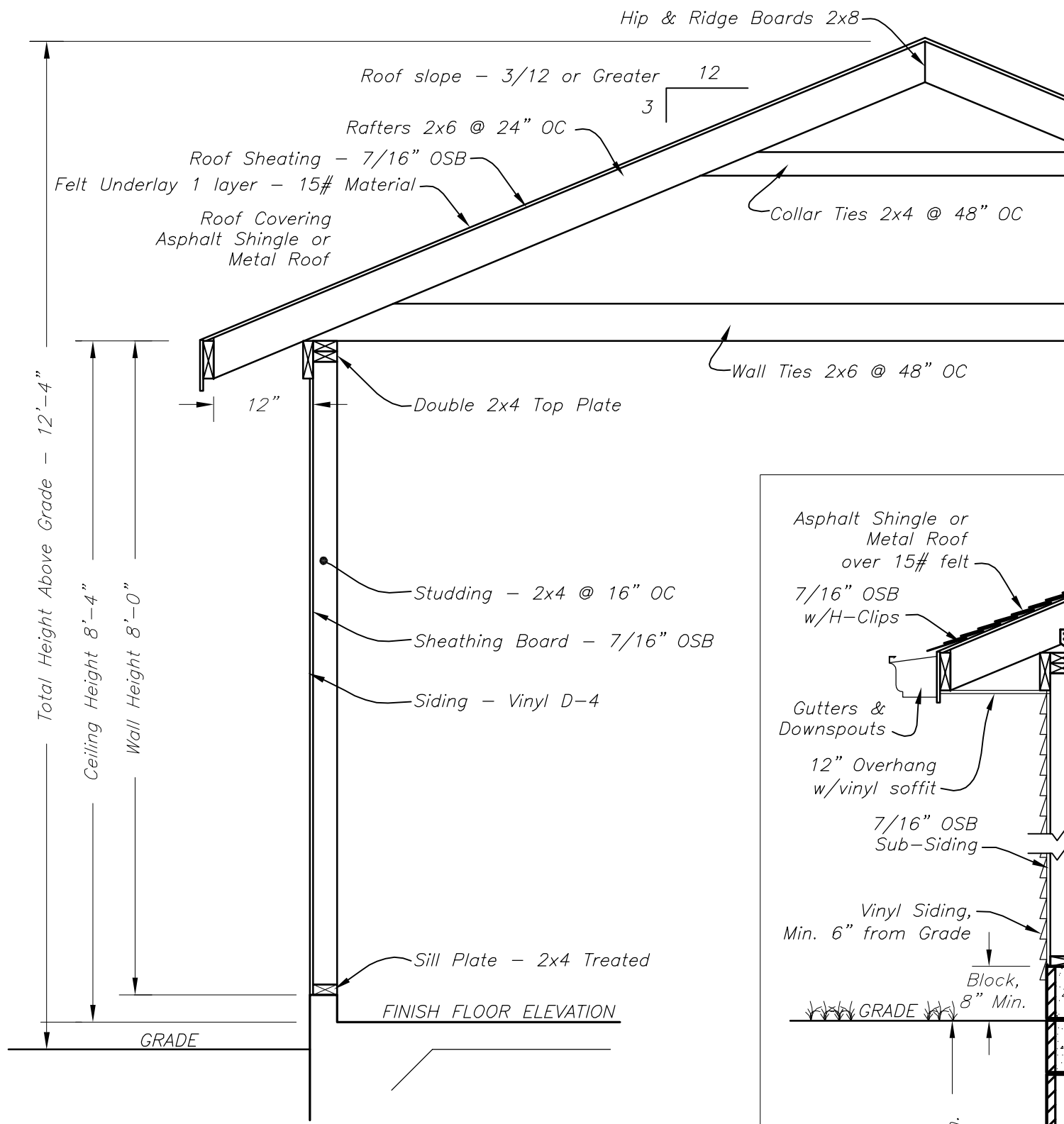
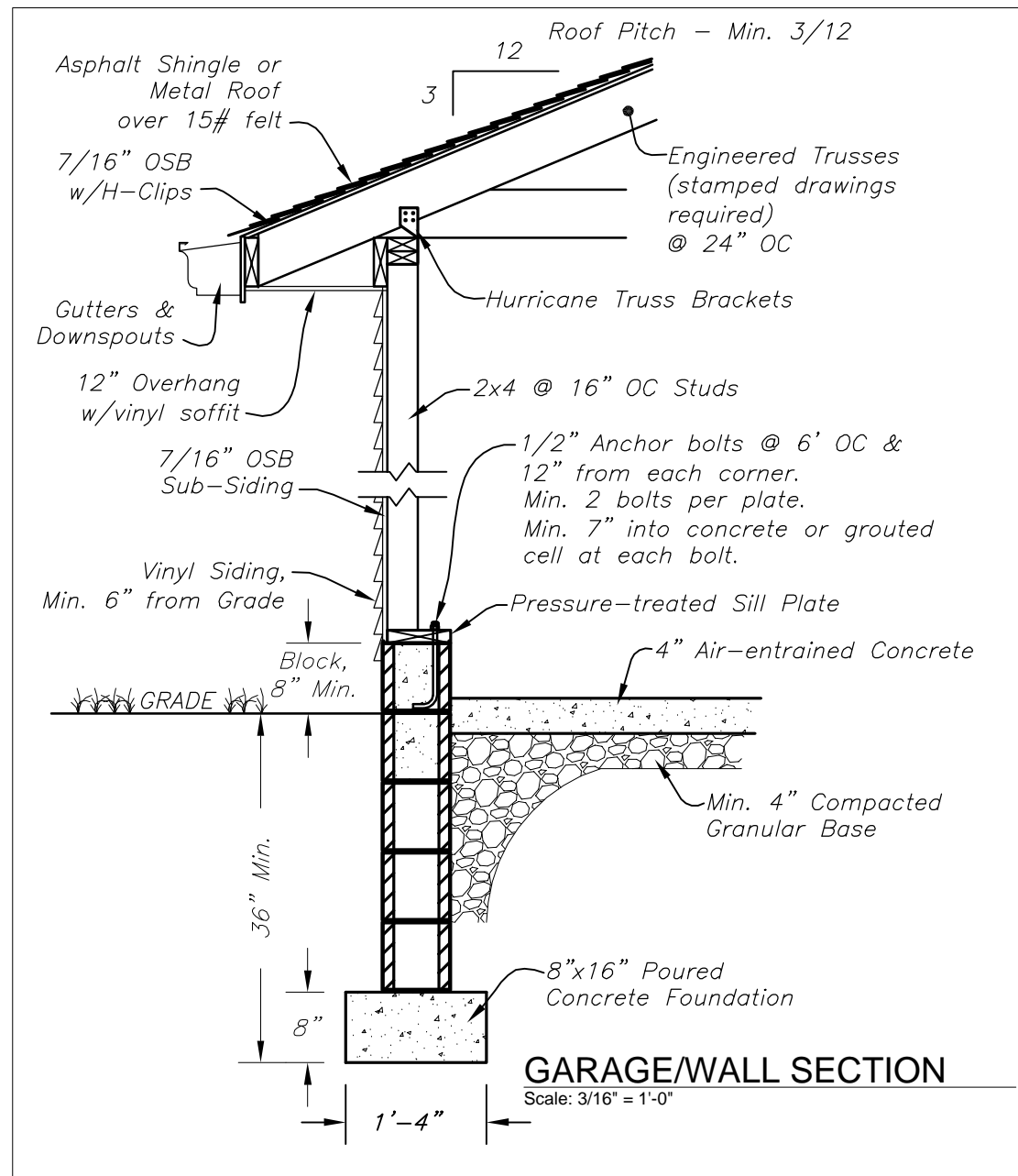


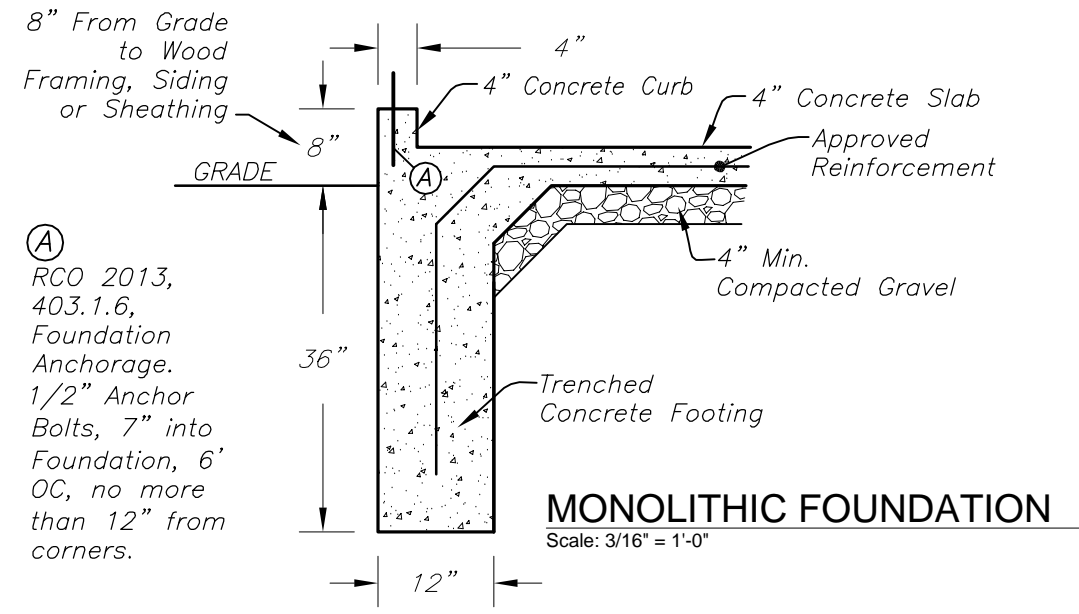
J:\JFM\2014 SIMMONS FIELD LIGHTING\DIG OUT DETAILS REVISED.DWG



ROOF/WALL SECTION
Scale: 3/16" = 1'-0"



GARAGE/WALL SECTION
Scale: 3/16" = 1'-0"



MONOLITHIC FOUNDATION
Scale: 3/16" = 1'-0"

CODE REFERENCES :

Visit the City of Lima website for Code Library:
www.cityhall.lima.oh.us
click on: **DEPARTMENTS / PUBLIC WORKS / BUILDING & ZONING**
click on: **OHIO BUILDING CODE REFERENCE LIBRARY**
Choose **OHIO** and the latest version of the Code .

GARAGES & CARPORTS

Chapter 3 - BUILDING PLANNING
309.1 Floor Surface
311.2.1 Garage Access Doors
PROTECTION OF WOOD AND WOOD BASED PRODUCTS AGAINST DECAY
317.1 Location Required

Chapter 4 - FOUNDATIONS
403.1.1 Minimum Size (min. size for concrete and masonry footings)
403.1.4 Minimum depth (exterior footings)
403.1.6 Foundation anchorage

Chapter 6 - WALL CONSTRUCTION
602.10 - Wall bracing

Chapter 8 - ROOF-CEILING CONSTRUCTION
802.4 Allowable ceiling joist spans
802.5 Allowable rafter spans
802.10 Wood trusses
802.10.1 Truss design drawings

SCALE AS NOTED	
CALCULATED	JFM
CHECKED	ALH
PID NO. -	
CITY OF LIMA PROJECT -	
CITY OF LIMA, OHIO DEPARTMENT OF PUBLIC WORKS BUILDING & ZONING 50 TOWN SQUARE LIMA, OHIO 45501-4948	
DETACHED GARAGE SAMPLE MINIMUM REQUIREMENTS per CODE	
CITY OF LIMA	
03/09/17	
1 1	